

0/1-10V Rotary Panel Dimmer

Model No.: KL

Rotary dimming/0-10V or 1-10V/AC relay output/Wireless remote control

Features

- Rotary panel 0/1-10V dimmer, 1 channel output.
- Output 1 channel 0/1-10V signal, connect with 0/1-10V dimmable driver.
- High voltage AC input, High voltage AC relay output.
- 0-10V or 1-10V output selectable by DIP switch.
- Rotate knob to change brightness, support push and long push operation.
- Compatibility with RF 2.4G dimming remote control.

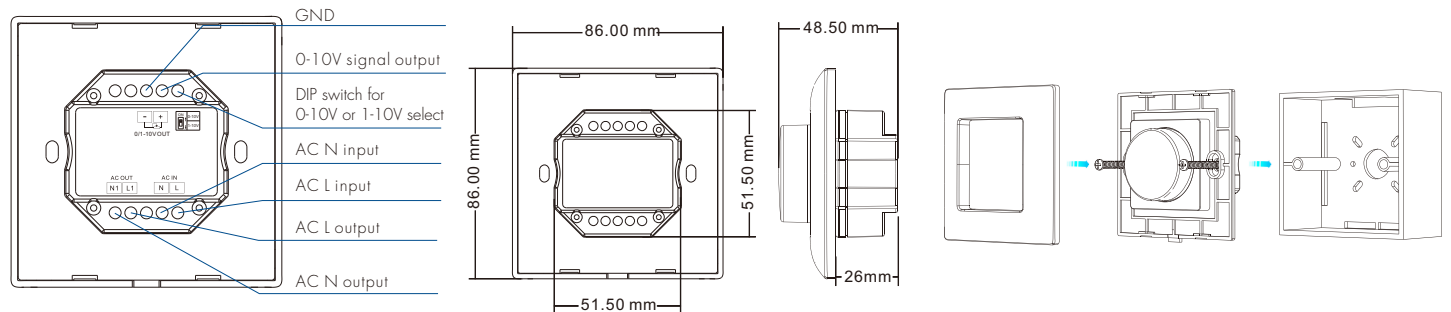


CE RoHS LVD

Technical Parameters

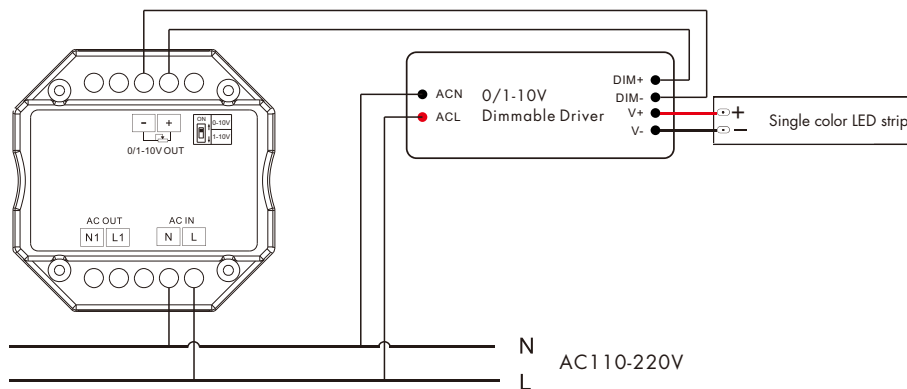
Input and Output		Safety and EMC		Environment	
Input voltage	AC100-240V	EMC standard (EMC)	ETSI EN 301 489-1 V2.2.3	Operation temperature	Ta: -30 °C ~ +55 °C
Output signal	0-10V (50mA)		ETSI EN 301 489-17 V3.2.4	Case temperature (Max.)	Ta: +65 °C
Output current	Max 1.5A(AC)	Safety standard(LVD)	EN 62368-1:2020+A11:2020	IP rating	IP20
Dimming data		Radio Equipment(REDE)	ETSI EN 300 328 V2.2.2	Package	
Input signal	Rotary knob + RF 2.4GHz	Certification	CE,EMC,LVD,RED	Size	L112x W112 x H60mm
RF Control distance	30m(Barrier-free space)	Warranty		Gross weight	0.160kg
Dimming gray level	256 levels	Warranty	5 years		
Dimming range	0-100%				

Mechanical Structures and Installations

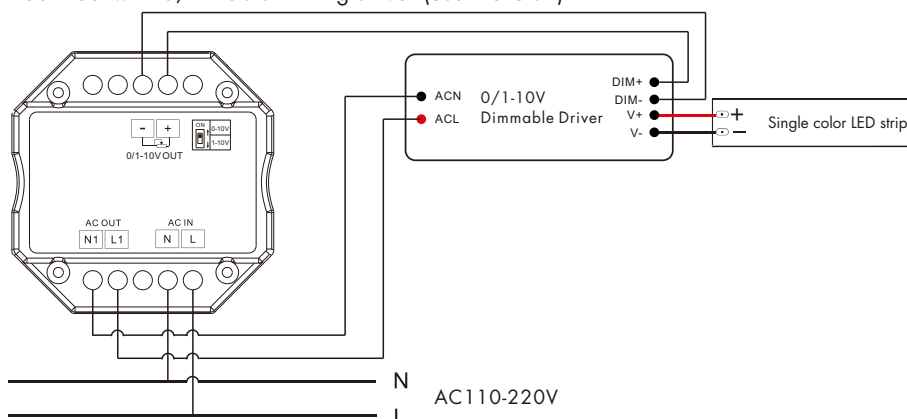


Wiring diagram

- Connect with 0/1-10V dimming driver (no use AC OUT)

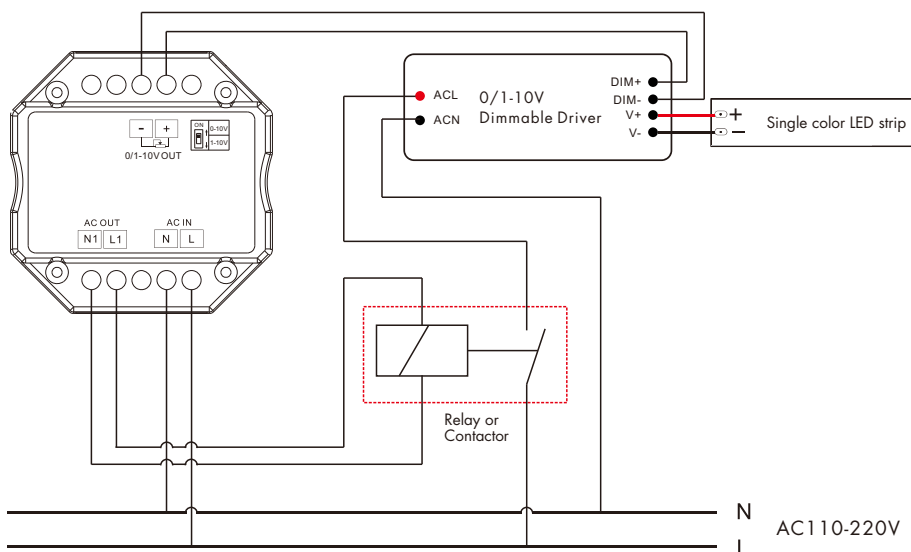


- Connect with 0/1-10V dimming driver (use AC OUT)



● Connect with 0/1-10V dimming driver (use AC OUT and relay or contactor)

An additional AC relay or contactor is needed when total input current of the load is higher than 1.5A or inrush current is greater than 15A.



Note: We recommend the number of LED drivers connected to 0/1-10V dimmer does not exceed 100 pieces, The maximum length of the wires from dimmer to LED driver should be no more than 50 meters.

Knob function

- Push: Turn on or off light.
After turn on light:
- Rotate: Rotate knob to adjust brightness, 2.5 turns, 50 levels.
- Long push(1-6s): Continuous 256 levels brightness adjustment.

Match Remote Control (two match ways)

The 0/1-10V rotary panel dimmer can also match with the RF dimming remote (optional). End user can choose the suitable match/delete ways. Two options are offered for selection:

Use Knob

Match:
Turn on light, turn off, immediately push the knob for 5s, immediately press on/off key(single zone remote) or zone key(multiple zone remote) of the remote.

Delete:
Turn on light, turn off, immediately push the knob for 10s, delete all matched remotes.

Use Power Restart

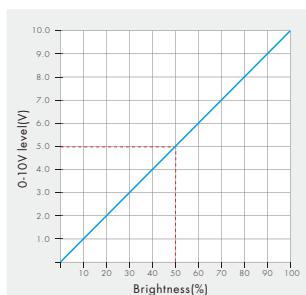
Match:
Switch off the power, then switch on power, repeat again, Immediately short press on/off key (single zone remote) or zone key (multiple zone remote) 3 times on the remote. The light blinks 3 times means match is successful.

Delete:
Switch off the power, then switch on power, repeat again, Immediately short press on/off key (single zone remote) or zone key (multiple zone remote) 5 times on the remote. The light blinks 5 times means all matched remotes were deleted.

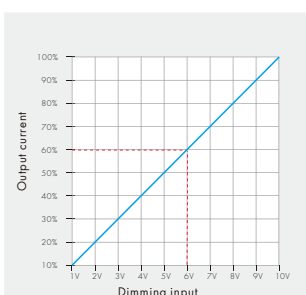
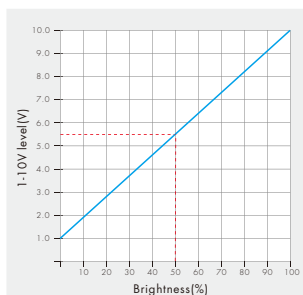
0-10V or 1-10V dimming setting

Select 0-10V dimmer or 1-10V dimmer according to dimmable LED driver.

0-10V Dimmer



1-10V Dimmer



Note:
When the output channel is off, the output dimming signal is 0V or 1V.
Please read the dimming section of the dimming driver manual.
If the dimming characteristic curve is the same as left, you must select 1-10V dimmer and use AC OUT function, otherwise you can't turn off the lights.